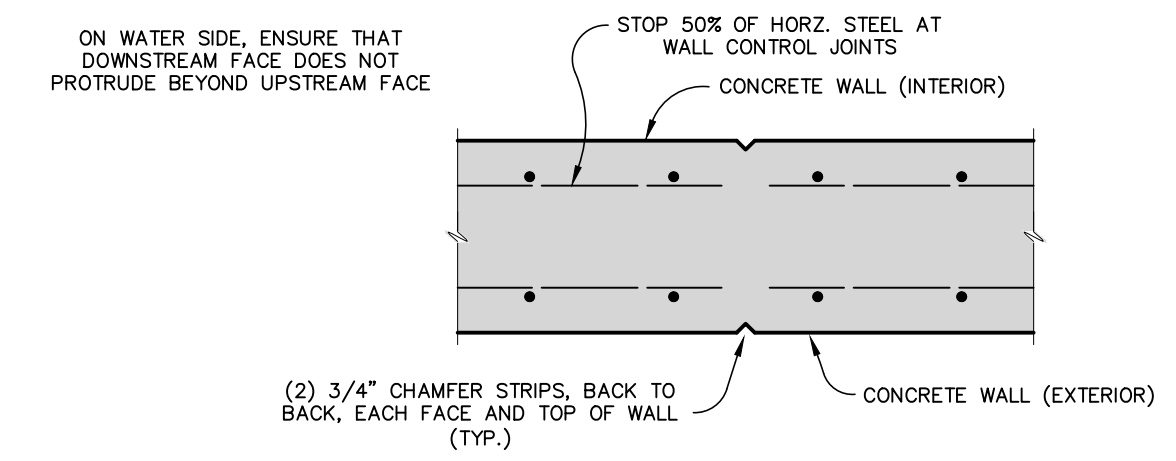
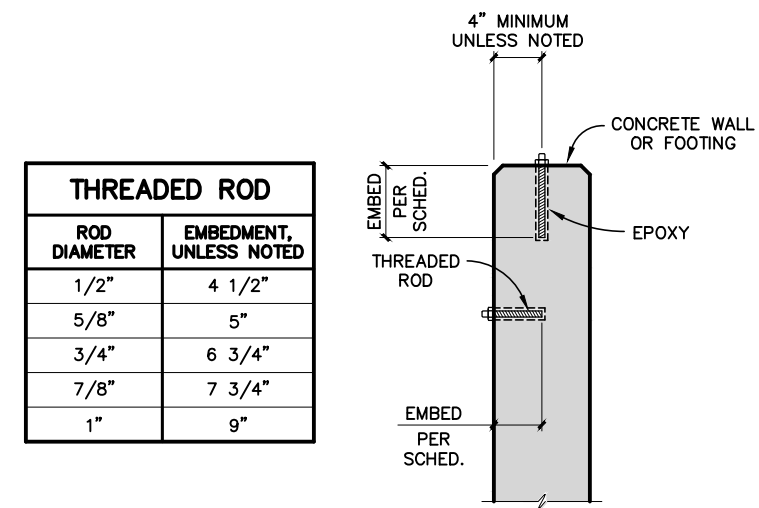


SLAB CONTROL JOINT
SCALE : 3/4" = 1'-0"



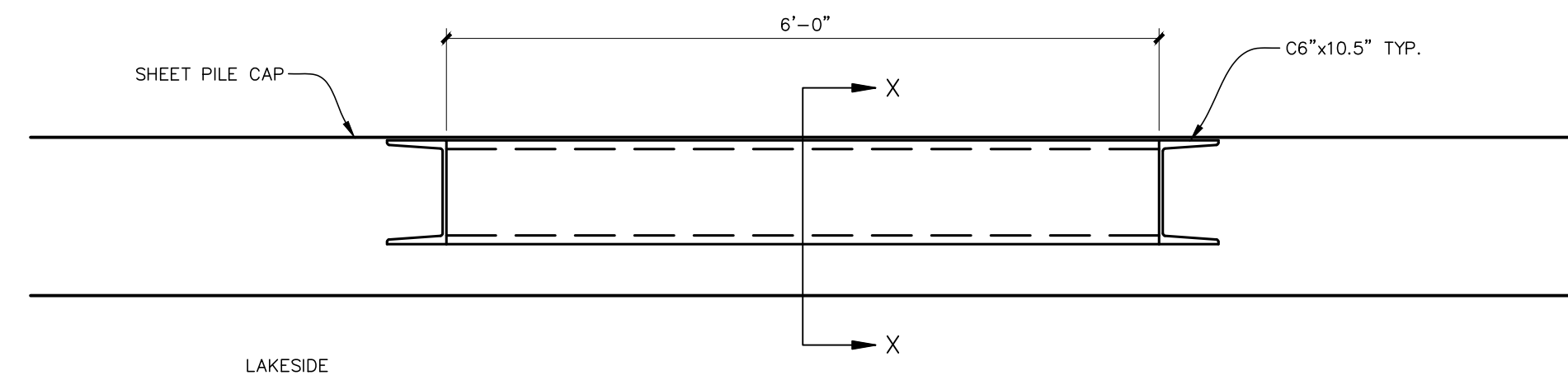
TYPICAL WALL CONTROL JOINT
SCALE : 3/4" = 1'-0"



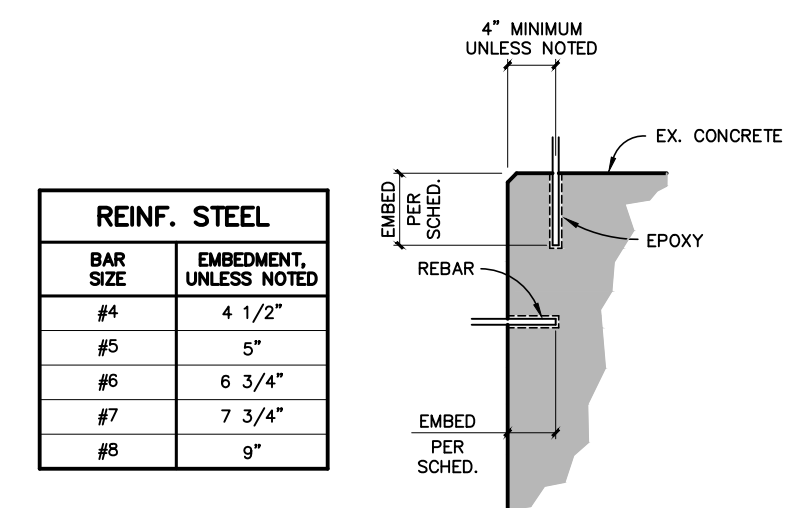
ROD DIAMETER	EMBEDMENT, UNLESS NOTED
1/2"	4 1/2"
5/8"	5"
3/4"	6 3/4"
7/8"	7 3/4"
1"	9"

EPOXY ADHESIVE ANCHORS
SCALE : NONE

- NOTES**
1. THREADED RODS SHALL BE A.S.T.M. A307 (SAE 1018) UNLESS NOTED OTHERWISE.
 2. THREADED RODS SHALL BE PLACED CLEAN AND FREE OF OIL, DIRT, RUST OR ANY OTHER DELETERIOUS MATERIALS.
 3. ROUGHEN AND CLEAN HOLE PRIOR TO PLACING EPOXY PER MANUFACTURER'S INSTRUCTIONS.
 4. INSTALL EPOXY/THREADED ROD ASSEMBLY USING HILTI HY-200 EPOXY.
 5. NO CUTTING OF EXISTING REINFORCEMENT SHALL BE ALLOWED IN THE INSTALLATION OF EPOXY ANCHORS UNLESS APPROVED BY THE ENGINEER OF RECORD.
 6. ALL EPOXY ANCHOR INSTALLATIONS SHALL COMPLY WITH THE SPECIFIED MANUFACTURER'S RECOMMENDATIONS AND ICC REPORT.
 7. SPECIAL INSPECTION OF ANCHOR INSTALLATION IS REQUIRED.



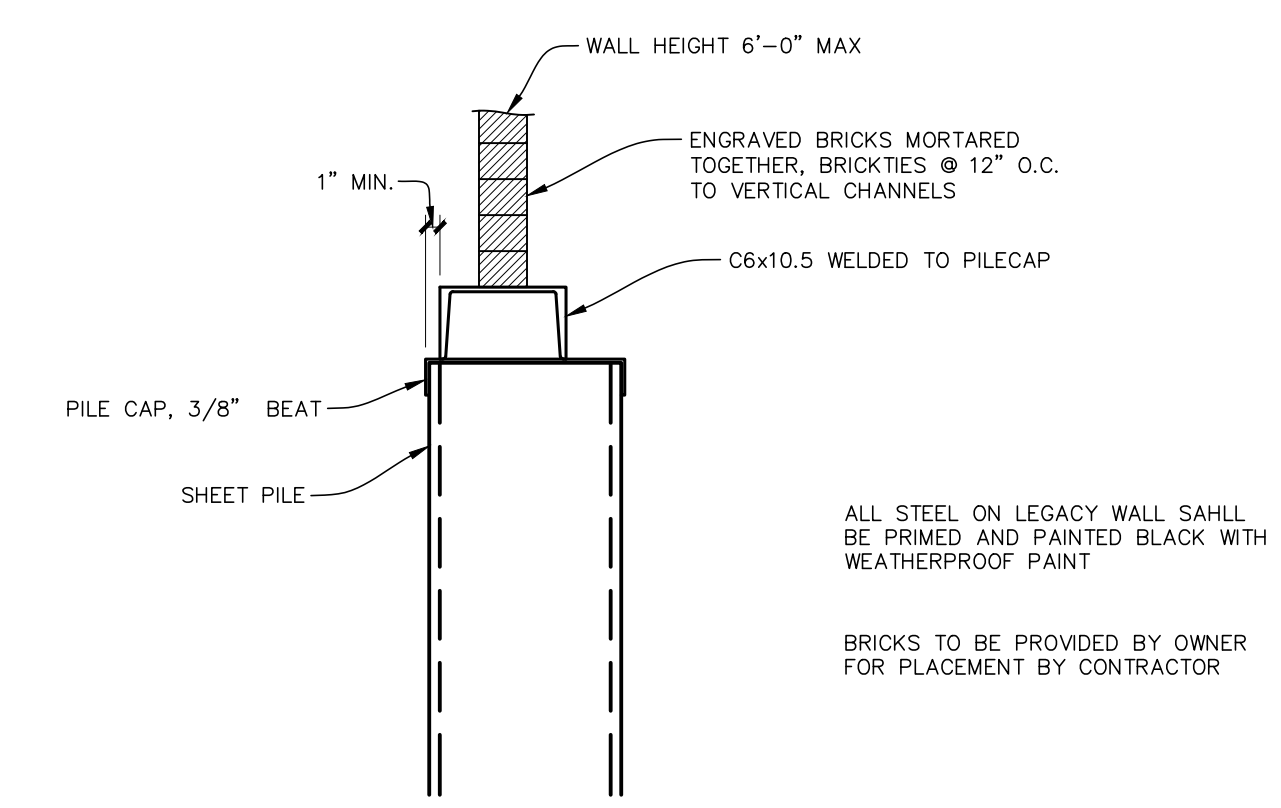
LEGACY WALL
SCALE : 3/4" = 1'-0"



BAR SIZE	EMBEDMENT, UNLESS NOTED
#4	4 1/2"
#5	5"
#6	6 3/4"
#7	7 3/4"
#8	9"

REINFORCING STEEL SET IN EPOXY
SCALE : NONE

- NOTES**
1. REINFORCING STEEL SHALL BE A.S.T.M. A-615, GRADE 60 UNLESS NOTED OTHERWISE.
 2. REINFORCING STEEL SHALL BE PLACED CLEAN AND FREE OF OIL, DIRT, RUST OR ANY OTHER DELETERIOUS MATERIALS.
 3. ROUGHEN AND CLEAN HOLE PRIOR TO PLACING EPOXY PER MANUFACTURER'S INSTRUCTIONS.
 4. INSTALL EPOXY/REINFORCING STEEL ASSEMBLY USING HILTI HY-200 EPOXY.
 5. NO CUTTING OF EXISTING REINFORCEMENT SHALL BE ALLOWED IN THE INSTALLATION OF EPOXY ANCHORS UNLESS APPROVED BY THE ENGINEER OF RECORD.
 6. ALL EPOXY ANCHOR INSTALLATIONS SHALL COMPLY WITH THE SPECIFIED MANUFACTURER'S RECOMMENDATIONS AND ICC REPORT.
 7. SPECIAL INSPECTION OF REINFORCING STEEL INSTALLATION IS REQUIRED.



LEGACY WALL CROSS SECTION X-X
SCALE : 3/4" = 1'-0"



UTILITY LOCATIONS ARE DERIVED FROM ACTUAL MEASUREMENTS OR AVAILABLE RECORDS. THEY SHOULD NOT BE INTERPRETED TO BE EXACT LOCATIONS NOR SHOULD IT BE ASSUMED THAT THEY ARE THE ONLY UTILITIES IN THIS AREA.

NO.	REVISIONS	BY	DATE	DRAWN
1	INTERNAL REVIEW	EES	11-21-19	E.E.S.
2	RELEASED FOR BIDS	EES	11-25-19	
				DATE: 11/25/19
				CHECKED: K.L.M.
				DATE: 11/25/19



GULL LAKE DAM ASSOCIATION
ROSS TOWNSHIP, KALAMAZOO COUNTY, MICHIGAN

DAM IMPROVEMENTS
DETAILS

PROJECT NO.
2180455

SHEET NO.
11 OF 11

EGLE-WED
11/25/19
Approved
Expires On: 03/16/2020